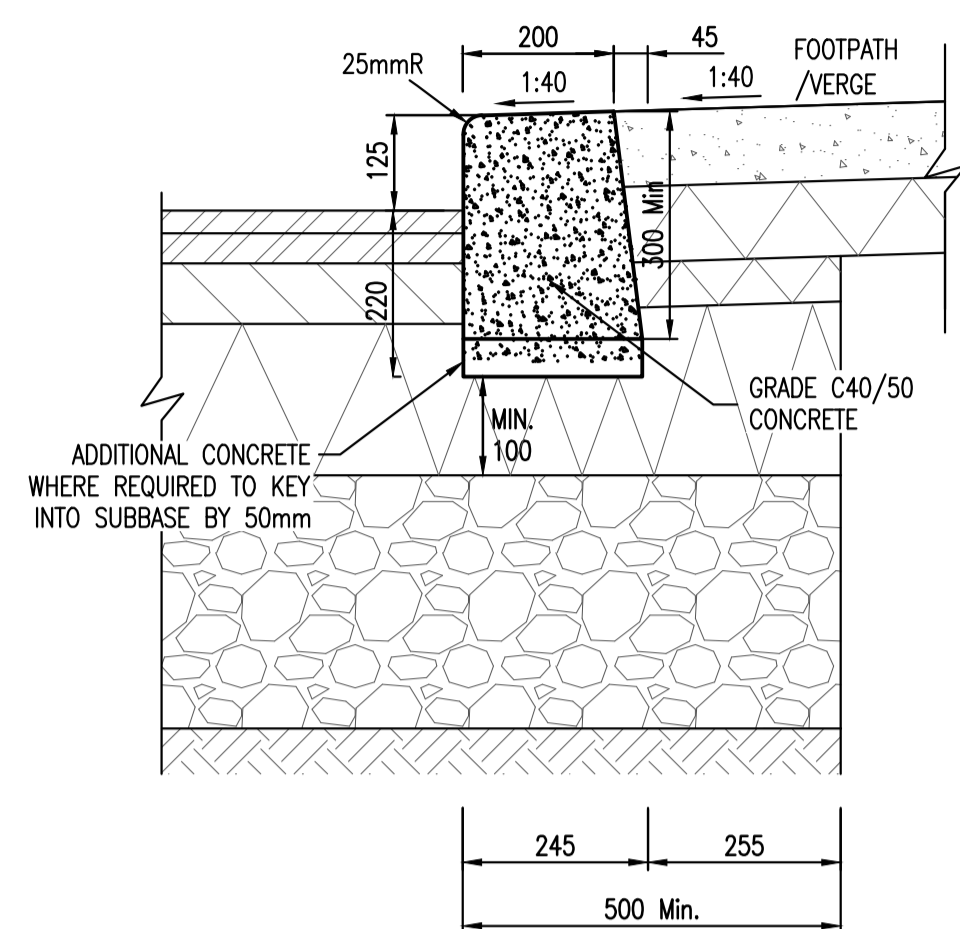
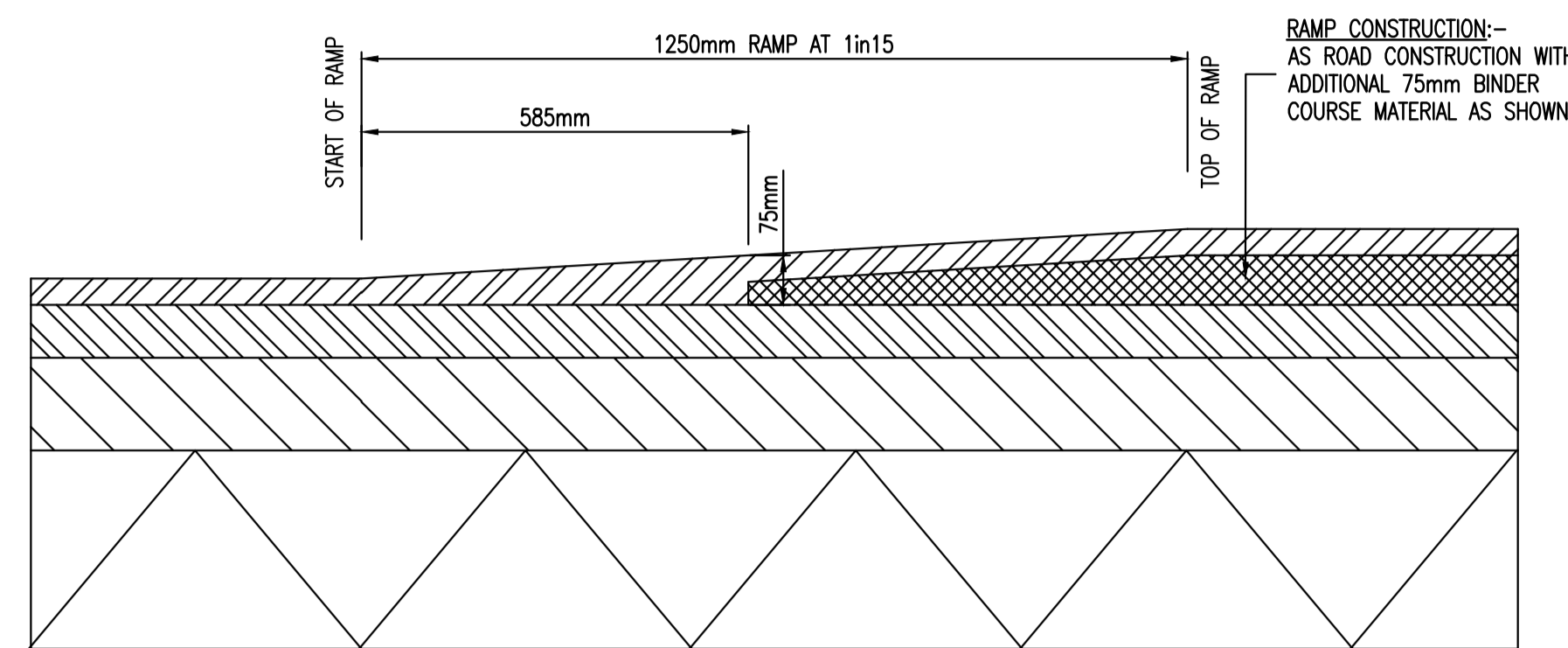


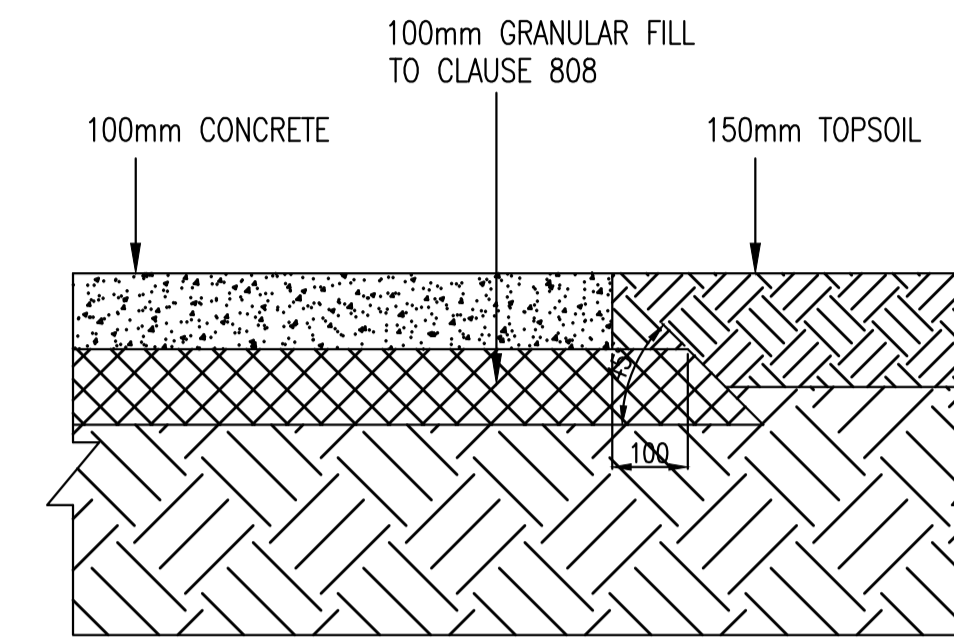
- NOTES:
- DO NOT SCALE. USE FIGURED DIMENSIONS ONLY.
 - THIS DRAWING IS TO BE READ IN CONJUNCTION WITH ALL OTHER RELEVANT ARCHITECTURAL AND ENGINEERING DRAWINGS.



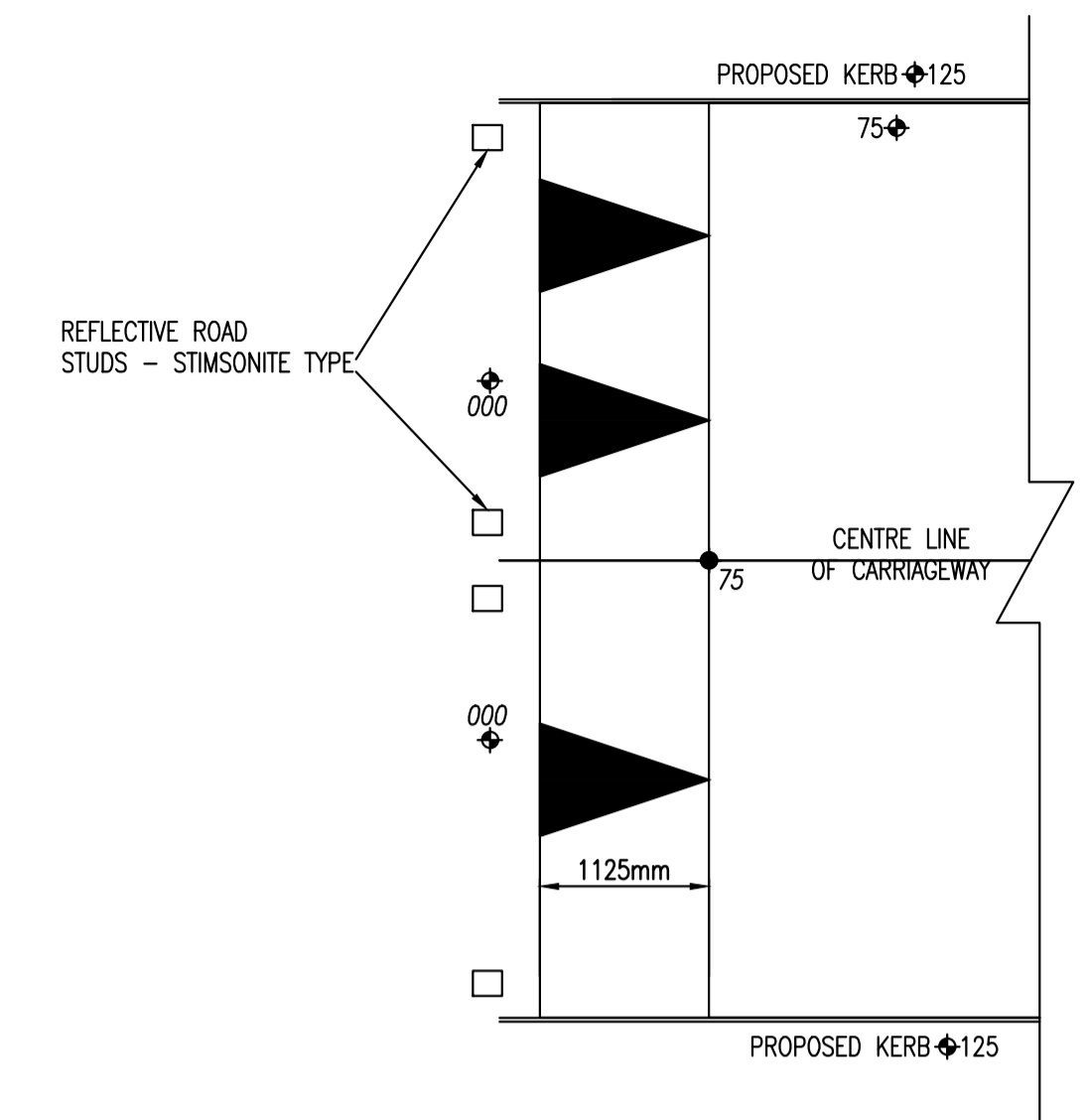
KERB DETAIL 1 – IN-SITU CONCRETE KERB WITH 125mm KERB FACE
SCALE 1:10



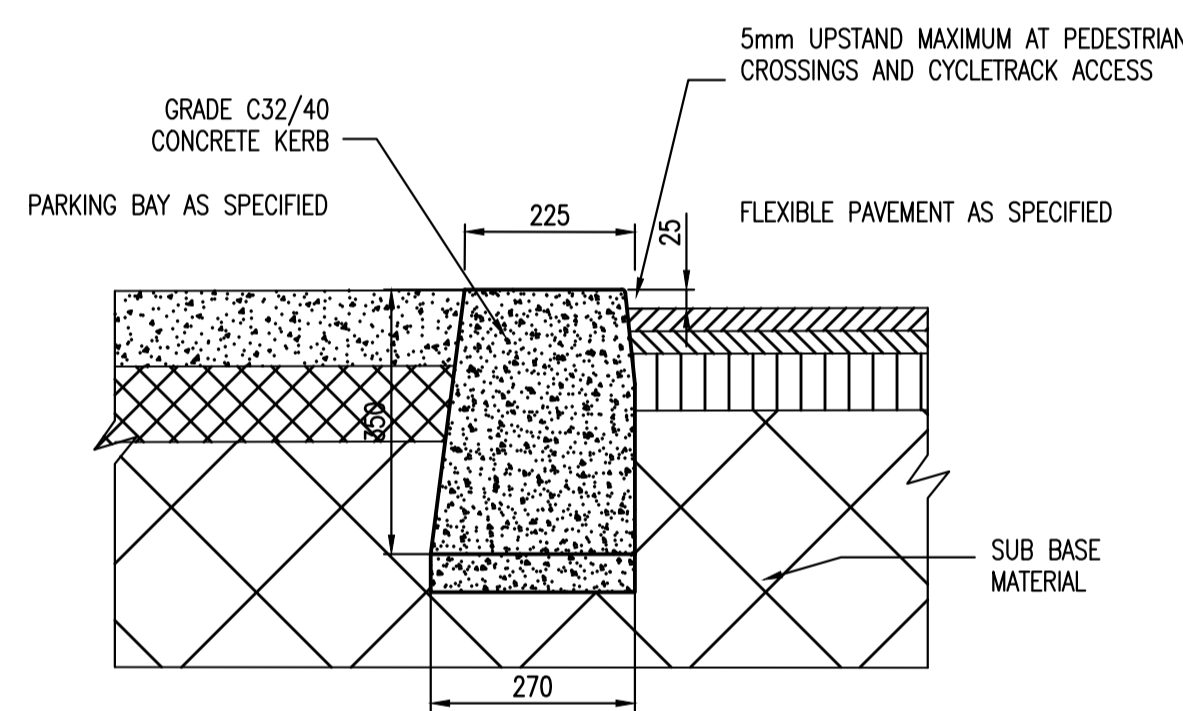
SPEED TABLE AND RAMP CONSTRUCTION DETAIL
SCALE 1:10



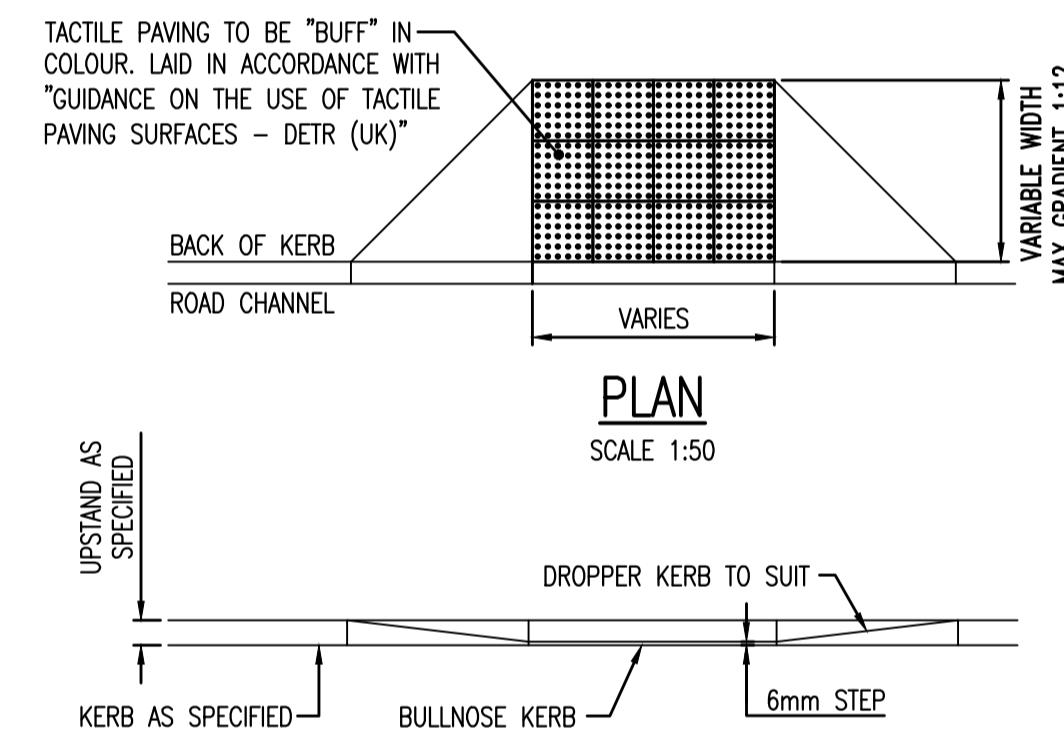
GRASS VERGES TO CONCRETE FOOTWAY DETAIL AS PER NRA DETAIL RCD/1100/05
SCALE 1:10 @A1



PLAN OF FLAT TOP RAMP FOR PEDESTRIAN FRIENDLY RAMPS / RAISED TABLES
SCALE 1:50

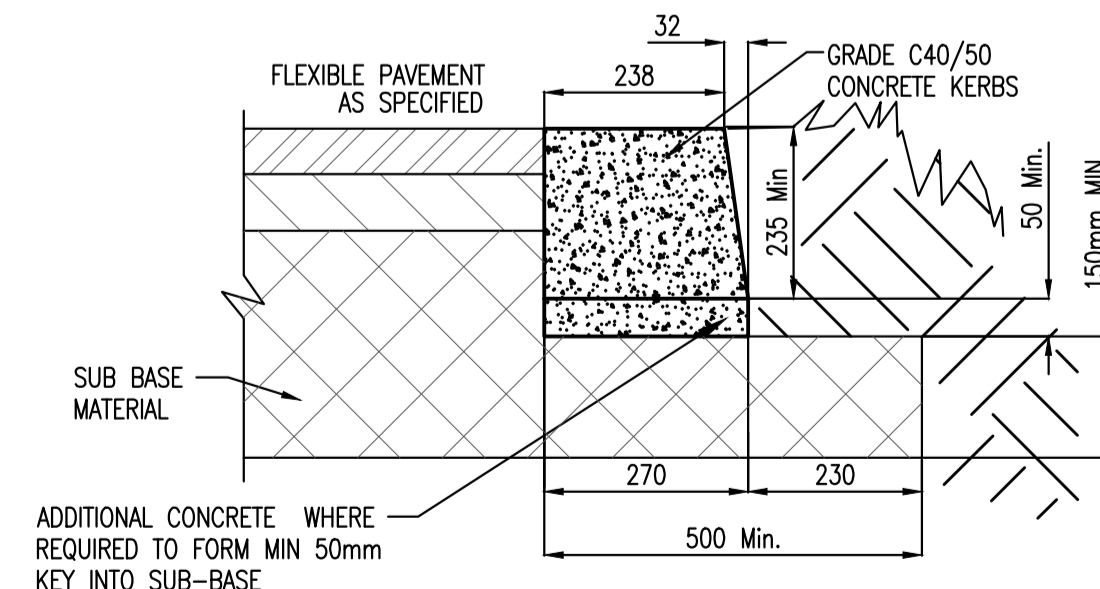


KERB DETAIL 2 CAST IN-SITU KERB AT VEHICLE CROSSOVER AND ON-ROAD PARKING DELINEATOR
SCALE 1:10 @ A1

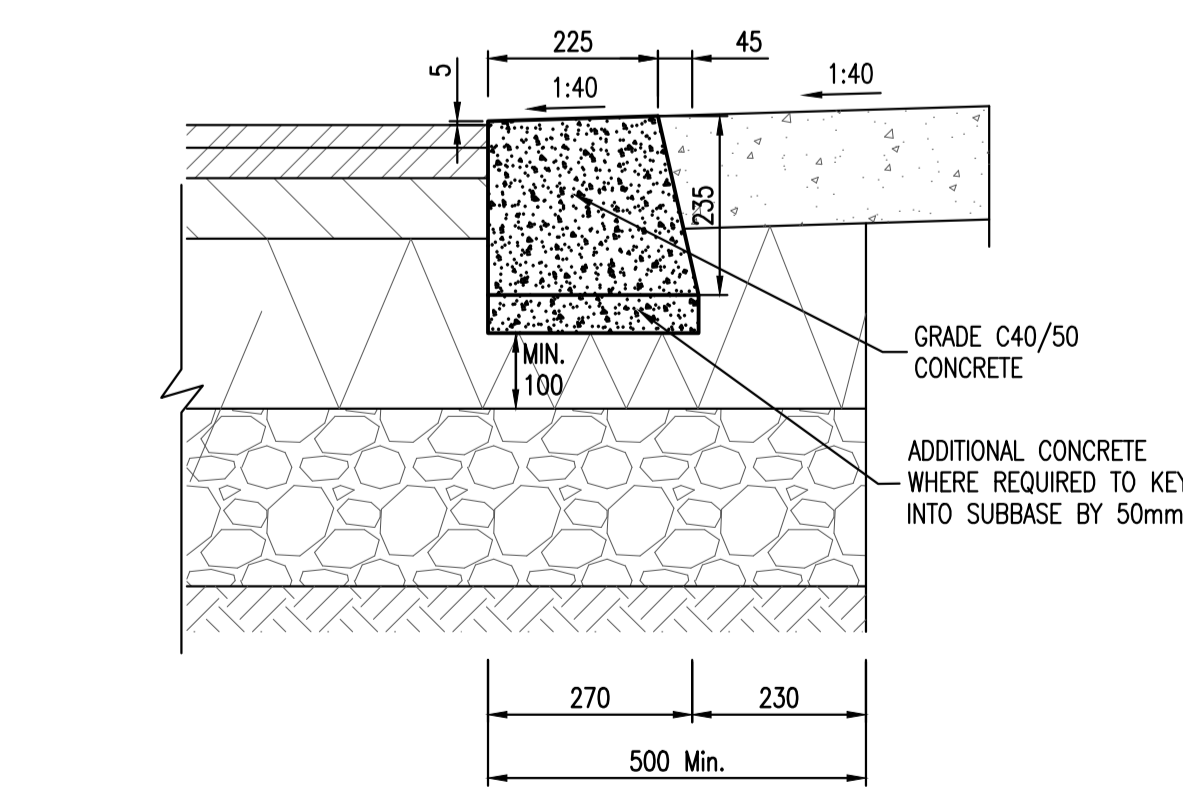


NON CONTROLLED PEDESTRIAN CROSSING DETAIL
SCALE 1:50

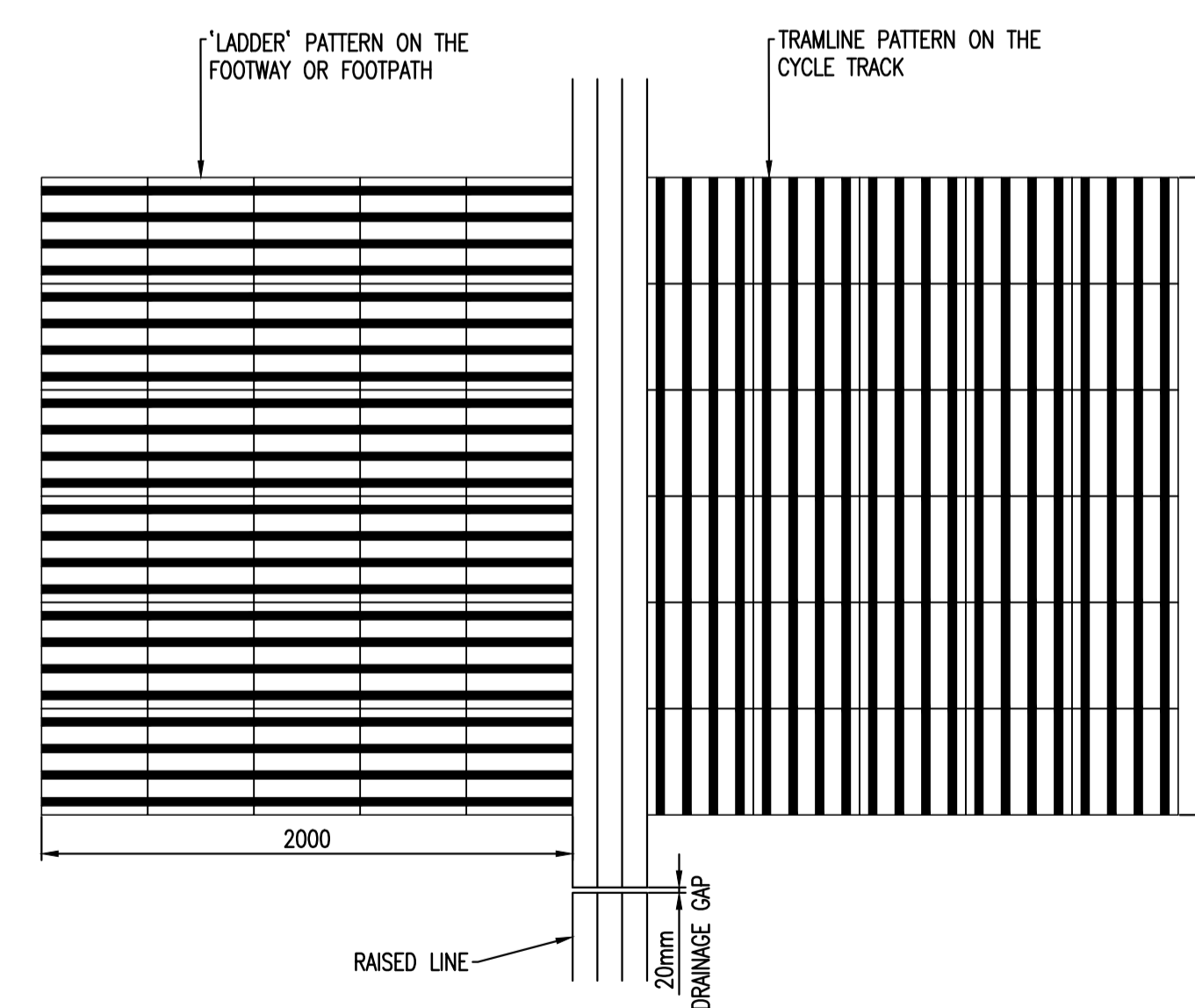
- KERB NOTES:**
- US CONCRETE FINISH INSITU CONCRETE KERBS SHALL COMPLY WITH THE RECOMMENDATIONS OF BS 5931 AND SHALL BE PROTECTED FROM ADVERSE WEATHER UNTIL
 - EXPANSION AND CONSTRUCTION JOINTS IN KERB TO MATCH JOINTS IN ROADS AND FOOTWAYS



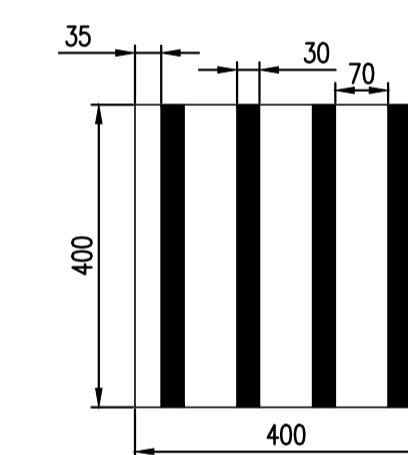
DETAIL 4 – TYPICAL IN SITU CONCRETE KERB DETAIL AT STRIP FILTER LOCATIONS
SCALE 1:10 @A1



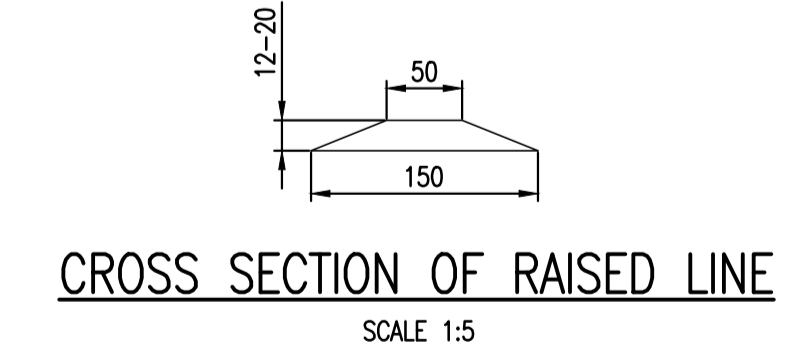
KERB DETAIL 3 – IN-SITU CONCRETE KERB WITH 5mm KERB FACE (PEDESTRIAN CROSSING)
SCALE 1:10



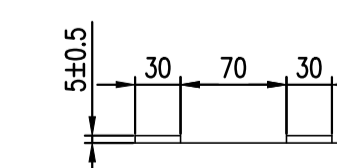
PROFILE & PLAN OF SEGREGATED SHARED CYCLES TRACK/FOOTWAY SURFACE AND CENTRAL DELINEATOR STRIP
SCALE 1:25



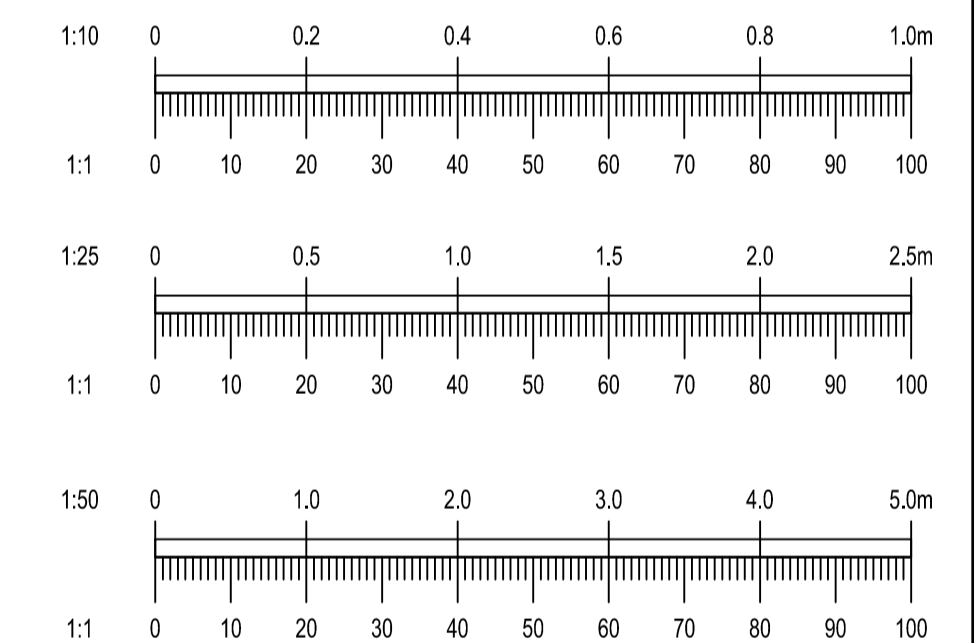
ALTERNATIVE MODULE SIZE
SCALE 1:10



CROSS SECTION OF RAISED LINE
SCALE 1:5



CROSS SECTION OF TRAMLINE
SCALE 1:5



13/04/22	ISSUED FOR PLANNING	PW	EC
REV. DATE	AMENDMENT	DRN	APPD

STATUS **FOR PLANNING ONLY NOT FOR CONSTRUCTION**

Waterman Moylan
Engineering Consultants
BLOCK 8, EASTPOINT BUSINESS PARK, ALFIE BYRNE ROAD, DUBLIN D03 H3F4 IRELAND. Tel: (01) 664 8900 Email: info@waterman-moylan.ie www.waterman-moylan.ie

CLIENT **J. MURPHY (DEVELOPMENTS) LIMITED**
ARCHITECT **PCOT ARCHITECTS**

PROJECT **FOSTERSTOWN NORTH SHD FOSTERSTOWN, SWORDS, Co. DUBLIN**

TITLE **ROAD CONSTRUCTION DETAILS SHEET 2 OF 2**

DRAWN PW	DESIGNED EC	APPROVED JG	DATE APRIL 2022
SCALE AS SHOWN@A1	JOB NO. 17-062	DRG. NO. P191	REVISION -