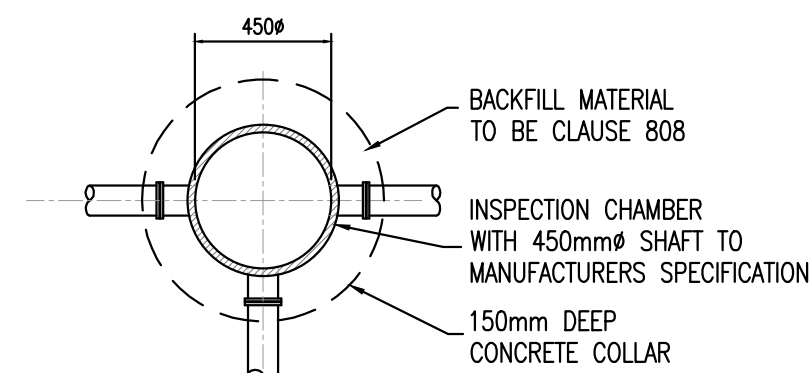
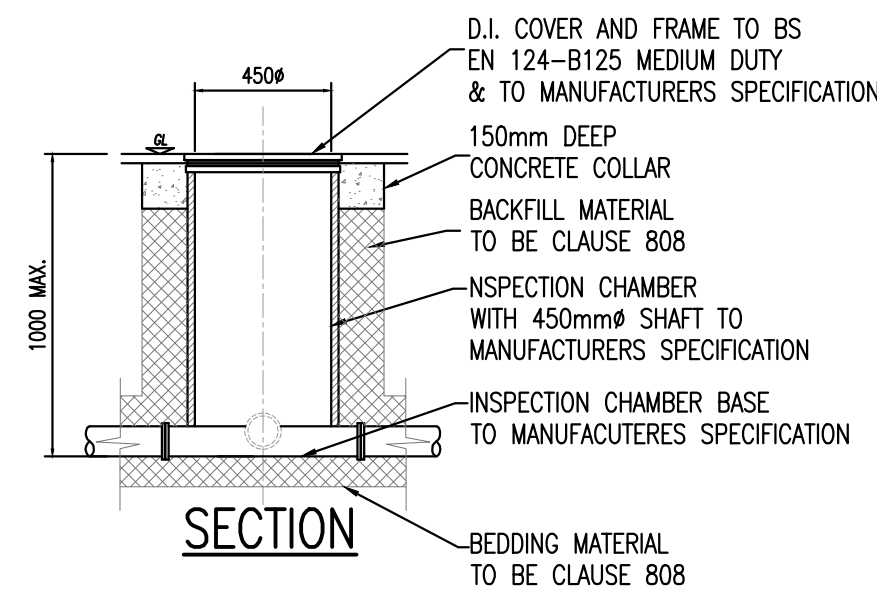


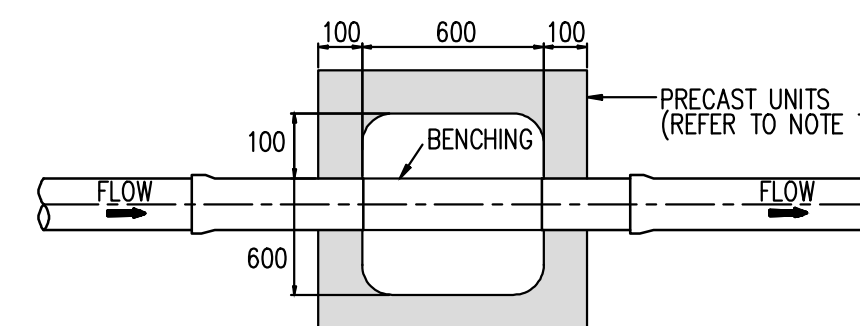
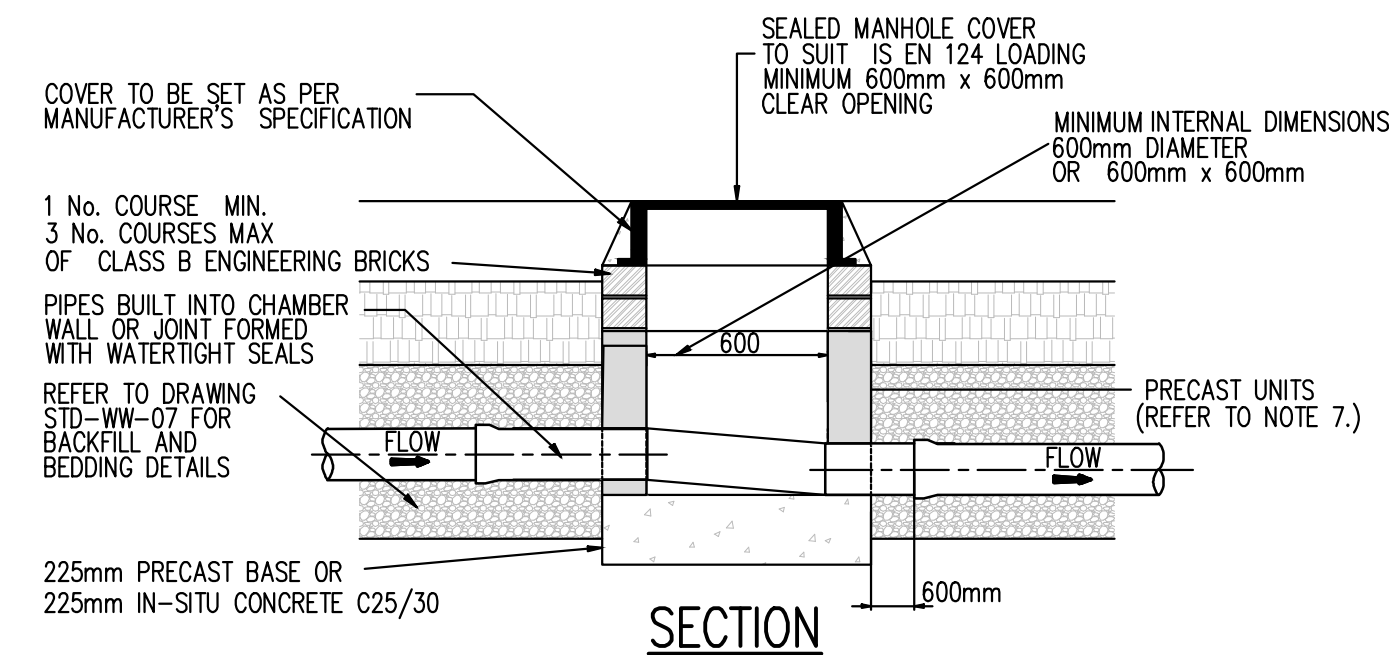
PIPE SIZE (mm)	GRADIENT
100	1 : 60
150 TO 225	1 : 150 MINIMUM

DRAIN AND SERVICE CONNECTION PIPEWORK

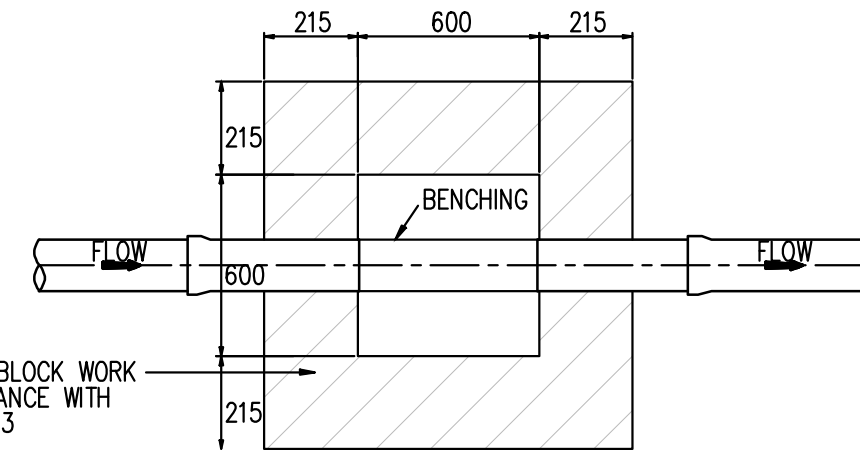
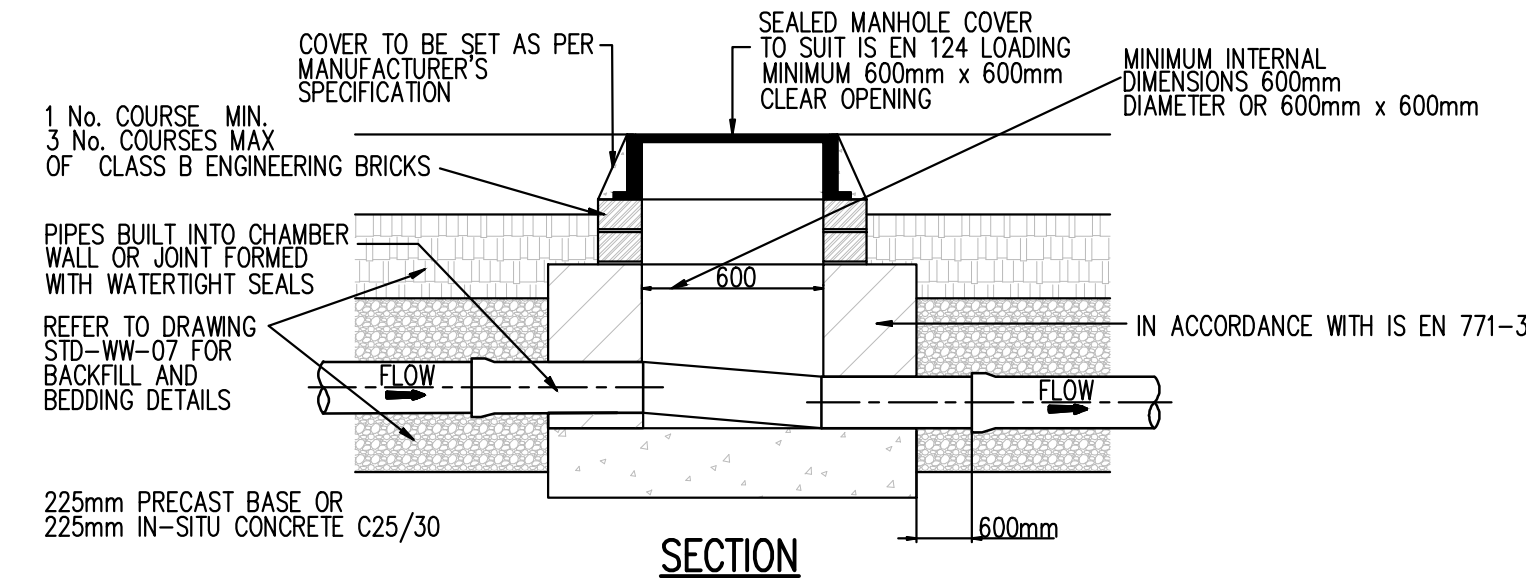


CIRCULAR INSPECTION CHAMBER WHERE INVERT IS 1m OR LESS BUILDING REGULATIONS TGD SECTION H TABLE 9

SCALE 1:25



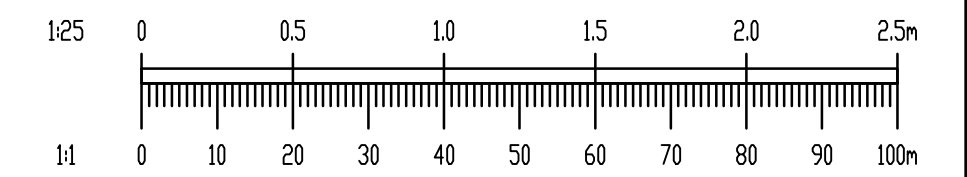
FLOOR PLAN INSPECTION CHAMBER (PRECAST CONCRETE CONSTRUCTION)



FLOOR PLAN INSPECTION CHAMBER (BLOCK WORK CONSTRUCTION) PRIVATE SIDE INSPECTION CHAMBER

NOTES:

- ALL DIMENSIONS IN MILLIMETRES (mm) UNLESS NOTED OTHERWISE.
- AN INSPECTION CHAMBER SHOULD BE LOCATED AT OR WITHIN 1m OF THE PROPERTY BOUNDARY AT THE UPSTREAM END OF EACH SERVICE CONNECTION ON THE PRIVATE SIDE OF THE CURTILAGE, IF PRACTICABLE.
- ANY PIPE AND ASSOCIATED ACCESS UPSTREAM OF THE POINT OF CONNECTION TO A PUBLIC SEWER IS A PRIVATE DRAIN AND SHOULD BE CONSTRUCTED IN ACCORDANCE WITH THE BUILDING REGULATIONS.
- ACCESS POINTS SHOULD BE LOCATED SO THAT THEY ARE ACCESSIBLE AND APPARENT TO THE MAINTAINER AT ALL TIMES FOR USE. THEY SHOULD AVOID REAR GARDENS OR ENCLOSED LOCATIONS AND THEY SHOULD NEVER BE OVERLAIN WITH SURFACE DRESSING, TOPSOIL, ETC.
- COVERS AND FRAMES SHALL BE SUITABLE FOR ROAD AND TRAFFIC CONDITIONS SUBJECT TO APPROVAL FROM IRISH WATER.
- 200mm ALL AROUND, 100mm DEEP CONCRETE PLINTH WITH PROTECTIVE STAINLESS STEEL METAL BAND AROUND COVERS IN GREEN AREAS.
- PROPRIETARY PREFABRICATED CHAMBER UNITS MAY ALSO BE USED, SUBJECT TO APPROVAL FROM IRISH WATER.
- CONCRETE CHAMBERS SHALL BE SURROUNDED BY A MINIMUM OF 150mm COMPACTED CLAUSE 808 MATERIAL AS PER STD-WW-07.
- ALL CHAMBERS TO BE CHECKED FOR UPLIFT BY THE DEVELOPER BASED ON GROUND CONDITIONS WITHIN THE SITE. SHOULD ANTI FLOTATION MEASURES BE REQUIRED THEY SHALL BE SUBJECT TO APPROVAL FROM IRISH WATER.



13/04/22	ISSUED FOR PLANNING	PW	EC
REV. DATE	AMENDMENT	DRN	APPD

STATUS **FOR PLANNING ONLY NOT FOR CONSTRUCTION**

Waterman Moylan
Engineering Consultants
BLOCK 5, EASTPOINT BUSINESS PARK, ALFIE BYRNE ROAD, DUBLIN D03 K7W7 IRELAND.
Tel: (01) 864 8900 Fax: (01) 661 3618
Email: info@waterman-moylan.ie www.waterman-moylan.ie

CLIENT **J. MURPHY (DEVELOPMENTS) LIMITED**

ARCHITECT **PCOT ARCHITECTS**

PROJECT **FOSTERSTOWN NORTH SHD FOSTERSTOWN, SWORDS, Co. DUBLIN**

TITLE **PRIVATE FOUL WATER DRAINAGE DETAILS**

DRAWN PW	DESIGNED EC	APPROVED JG	DATE APRIL 2022
SCALE 1:25 @ A1	JOB NO. 17-062	DRG. NO. P233	REVISION -